

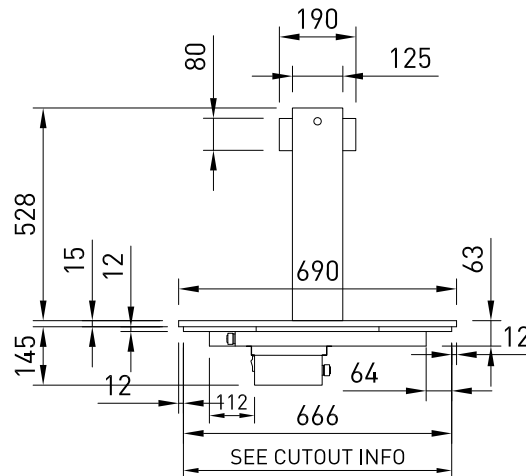
### CABINET DIMENSIONS & SPECIFICATIONS

MODEL	CABINET			WEIGHT KG	BENCH TOP CUT OUT HOLE SIZE	TEMP RANGE DEG C	DISPLAY AREA M2	FREQUENCY	OPERATING CURRENT WITH LAMPS AMPS	OPERATING CURRENT NO LAMPS AMPS	POWER WITH LAMPS KW 230V	CONNECTION ELECTRICAL POWER CORD 3000MM NZ/AUS/UK	VOLTAGE	PACKED FOR SHIPPING			
	LENGTH [MM]	DEPTH [MM]	HEIGHT [MM]											LENGTH [MM]	DEPTH [MM]	HEIGHT [MM]	WEIGHT [KG]
LSCM2	805	690	555	65	775x672	75-95	0.33	50/60 HZ	7.9	5.2	1.9	15 AMP LEAD ONLY	220-240V	910	770	410	76
LSCM3	1145	690	555	65	1115x672	75-95	0.51	50/60 HZ	11.7	7.61	2.691	15 AMP LEAD ONLY	220-240V	1250	770	410	88
LSCM4	1485	690	555	85	1455x672	75-95	0.68	50/60 HZ	15.7	10.25	3.611	20 AMP LEAD ONLY	220-240V	1590	770	410	107
LSCM5	1825	690	555	97	1795x672	75-95	0.86	50/60 HZ	19.6	12.78	4.508	20 AMP LEAD ONLY	220-240V	1930	770	410	128
LSCM6	2165	690	555	109	2135x672	75-95	1.04	50/60 HZ	23.5	15.32	5.405	30 AMP LEAD ONLY	220-240V	2270	770	410	140

### PRODUCT FEATURES

- Ceramic Heated Glass
- Overhead Halogen Lamps
- Digital thermostatic controller
- Heat indicating LED lights

### LSCM LEFT SIDE ELEVATION



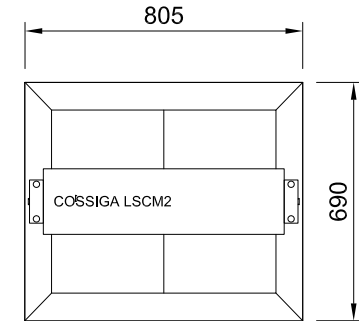
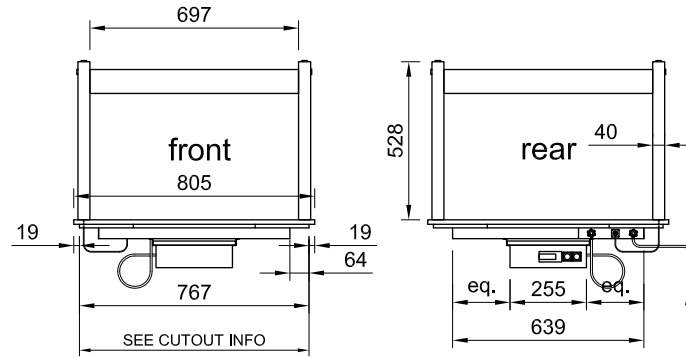
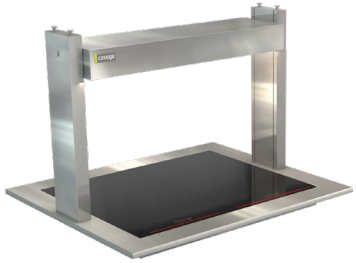
### ELECTRICAL POWER

Electrical power cord 3000mm 1 phase connection required.  
Unit must be hard wired on site to isolation switch.

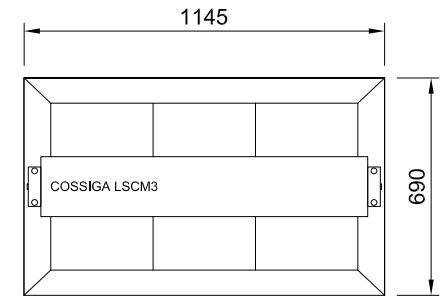
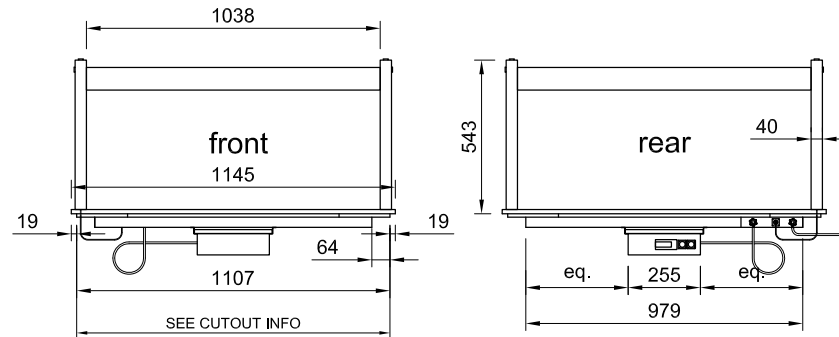
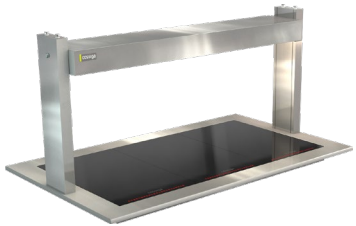
### ASSEMBLY REQUIRED

Prior to installation see, installation guidelines, ventilation requirements and drainage options documents

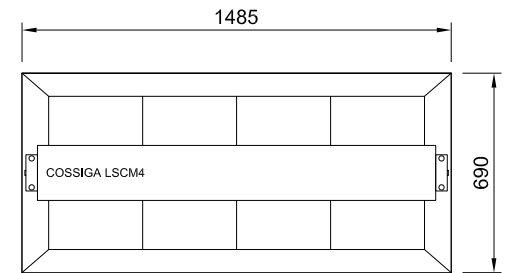
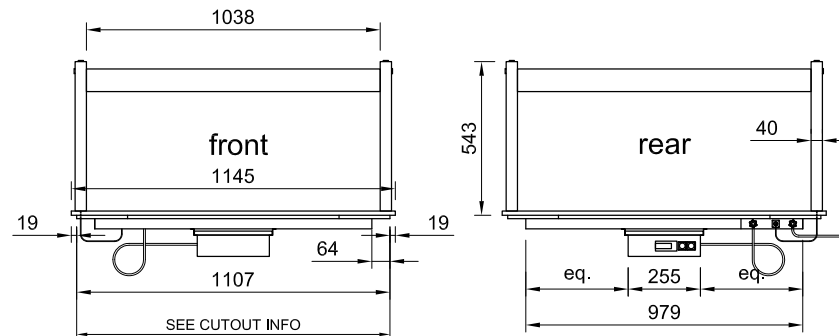
### LSCM2



### LSCM3

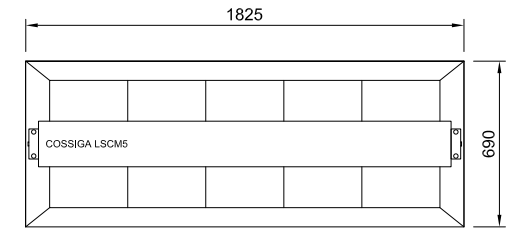
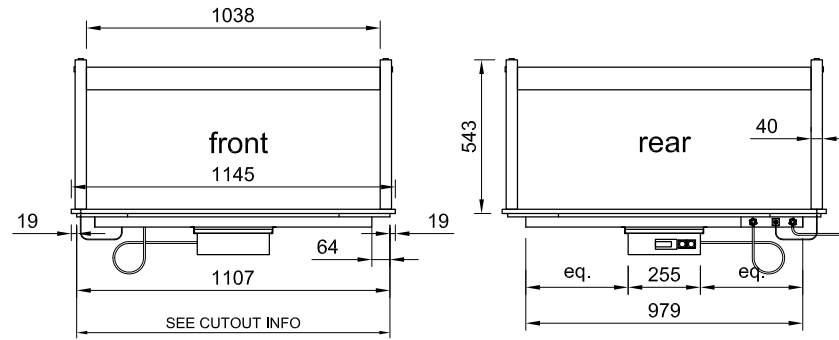
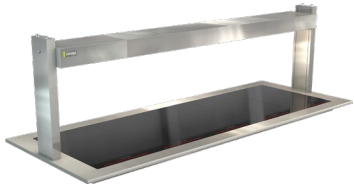


### LSCM4

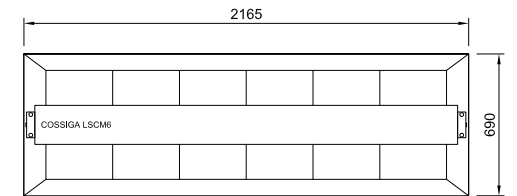
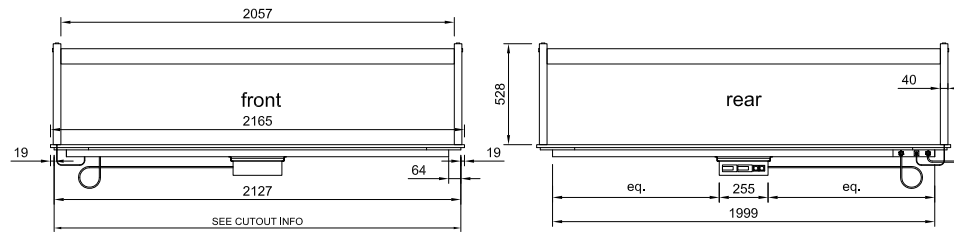
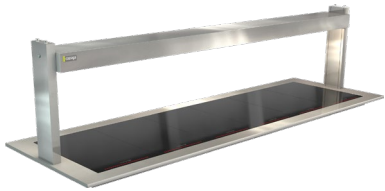


### ASSEMBLY REQUIRED

### LSCM5



### LSCM6



ASSEMBLY REQUIRED

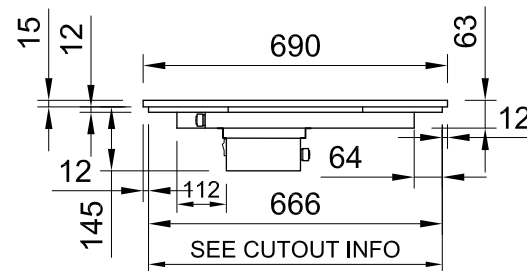
## CABINET DIMENSIONS & SPECIFICATIONS

MODEL	CABINET			WEIGHT KG	BENCH TOP CUT OUT HOLE SIZE	TEMP RANGE DEG C	DISPLAY AREA M2	FREQUENCY	OPERATING CURRENT WITH LAMPS AMPS	OPERATING CURRENT NO LAMPS AMPS	POWER KW 230V	CONNECTION ELECTRICAL POWER CORD 3000MM NZ/AUS/UK	VOLTAGE	PACKED FOR SHIPPING			
	LENGTH [MM]	DEPTH [MM]	HEIGHT [MM]											LENGTH [MM]	DEPTH [MM]	HEIGHT [MM]	WEIGHT [KG]
LSCM2-NG	805	690	555	65	775x672	75-95	0.33	50/60 HZ		5.2	1.2	15 AMP LEAD ONLY	220-240V	910	770	410	76
LSCM3-NG	1145	690	555	65	1115x672	75-95	0.51	50/60 HZ		7.61	1.75	15 AMP LEAD ONLY	220-240V	1250	770	410	88
LSCM4-NG	1485	690	555	85	1455x672	75-95	0.68	50/60 HZ		10.25	2.36	20 AMP LEAD ONLY	220-240V	1590	770	410	107
LSCM5-NG	1825	690	555	97	1795x672	75-95	0.86	50/60 HZ		12.78	2.94	20 AMP LEAD ONLY	220-240V	1930	770	410	128
LSCM6-NG	2165	690	555	109	2135x672	75-95	1.04	50/60 HZ		15.32	3.52	30 AMP LEAD ONLY	220-240V	2270	770	410	140

### PRODUCT FEATURES

- Ceramic Heated Glass
- Overhead Halogen Lamps
- Digital thermostatic controller
- Heat indicating LED lights

### LSCM-NG LEFT SIDE ELEVATION



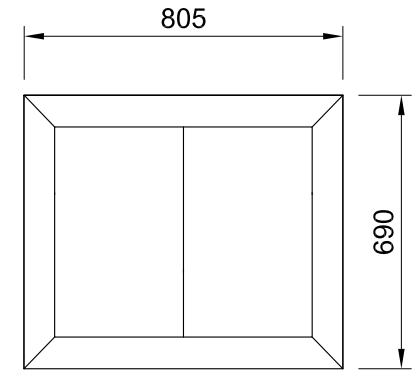
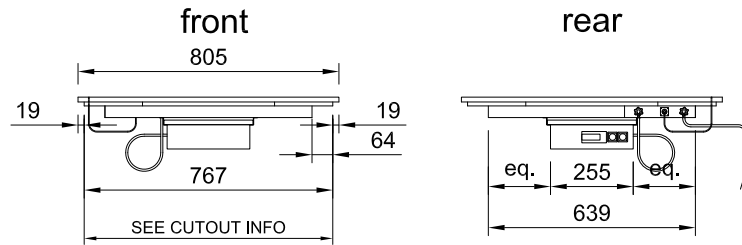
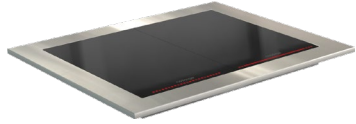
### ELECTRICAL POWER

Electrical power cord 3000mm 1 phase connection required.  
Unit must be hard wired on site to isolation switch.

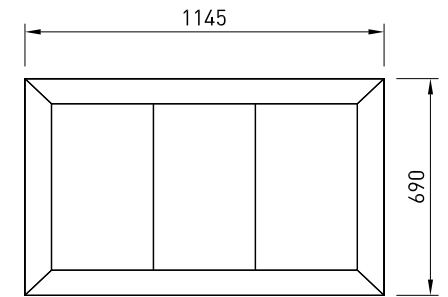
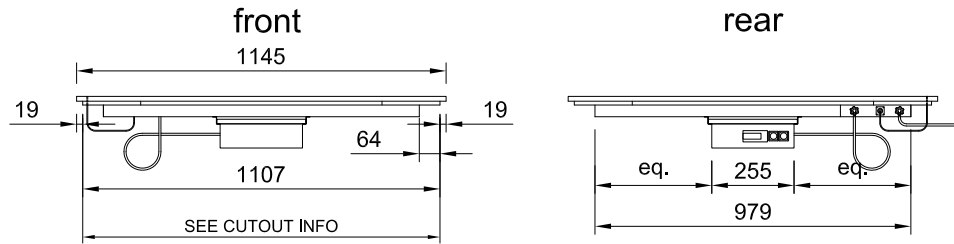
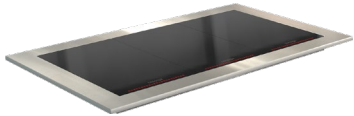
### ASSEMBLY REQUIRED

Prior to installation see, installation guidelines, ventilation requirements and drainage options documents

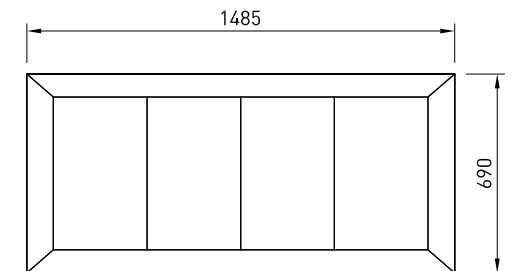
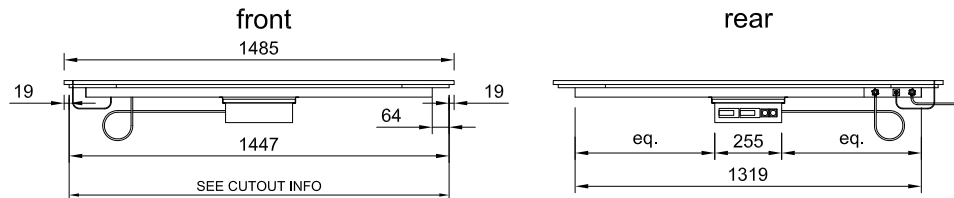
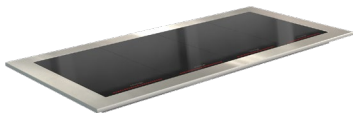
## LSCM2-NG



## LSCM3-NG

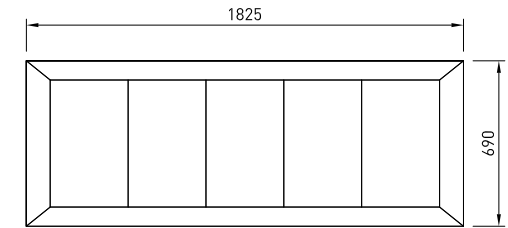
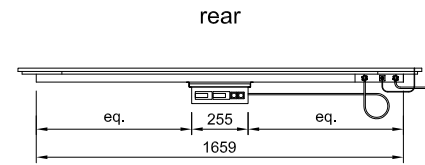
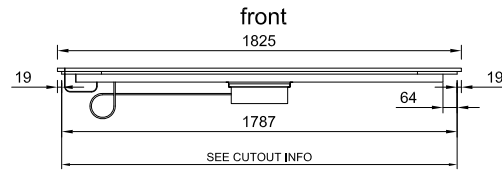
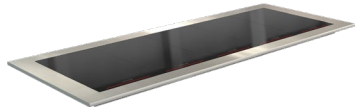


## LSCM4-NG

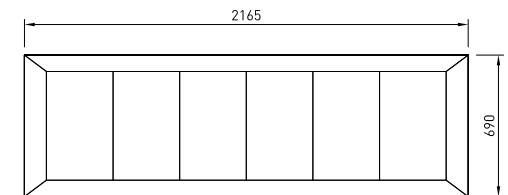
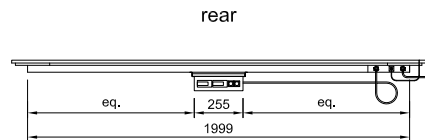
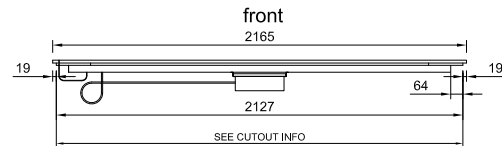
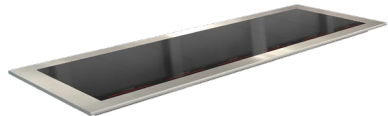


## ASSEMBLY REQUIRED

## LSCM5-NG



## LSCM6-NG



ASSEMBLY REQUIRED

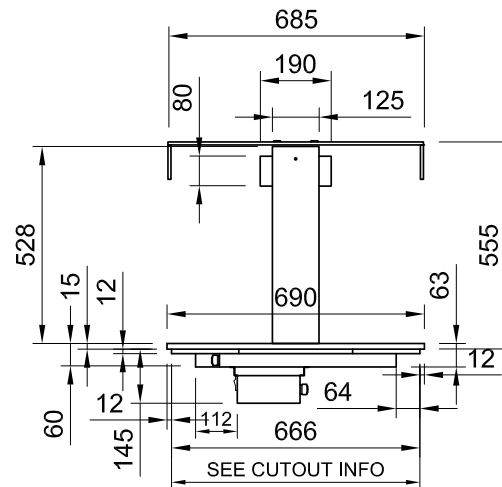
## CABINET DIMENSIONS & SPECIFICATIONS

MODEL	CABINET			WEIGHT KG	BENCH TOP CUT OUT HOLE SIZE	TEMP RANGE DEG C	DISPLAY AREA M2	FREQUENCY	OPERATING CURRENT WITH LAMPS AMPS	OPERATING CURRENT NO LAMPS AMPS	POWER WITH LAMPS KW 230V	CONNECTION ELECTRICAL POWER CORD 3000MM NZ/AUS/UK	VOLTAGE	PACKED FOR SHIPPING			
	LENGTH [MM]	DEPTH [MM]	HEIGHT [MM]											LENGTH [MM]	DEPTH [MM]	HEIGHT [MM]	WEIGHT [KG]
LSCM2-FT	805	690	555	65	775x672	75-95	0.33	50/60 HZ	7.9	5.2	1.9	15 AMP LEAD ONLY	220-240V	910	770	410	76
LSCM3-FT	1145	690	555	65	1115x672	75-95	0.51	50/60 HZ	11.7	7.61	2.691	15 AMP LEAD ONLY	220-240V	1250	770	410	88
LSCM4-FT	1485	690	555	85	1455x672	75-95	0.68	50/60 HZ	15.7	10.25	3.611	20 AMP LEAD ONLY	220-240V	1590	770	410	107
LSCM5-FT	1825	690	555	97	1795x672	75-95	0.86	50/60 HZ	19.6	12.78	4.508	20 AMP LEAD ONLY	220-240V	1930	770	410	128
LSCM6-FT	2165	690	555	109	2135x672	75-95	1.04	50/60 HZ	23.5	15.32	5.405	30 AMP LEAD ONLY	220-240V	2270	770	410	140

## PRODUCT FEATURES

- Ceramic Heated Glass
- Overhead Halogen Lamps
- Digital thermostatic controller
- Heat indicating LED lights

## LSCM-FT LEFT SIDE ELEVATION



## ELECTRICAL POWER

Electrical power cord 3000mm 1 phase connection required.  
Unit must be hard wired on site to isolation switch.

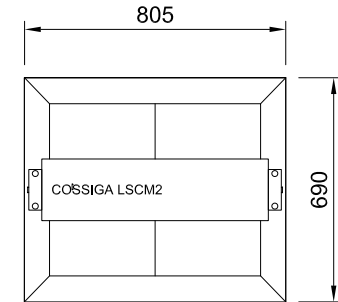
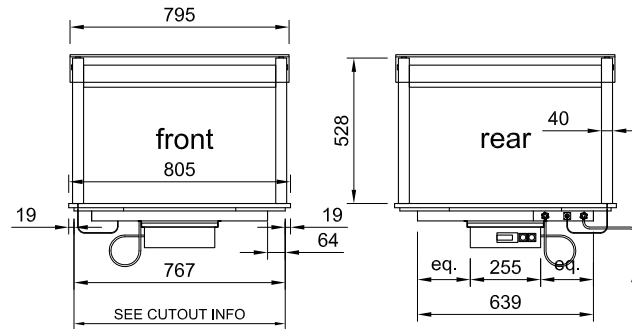
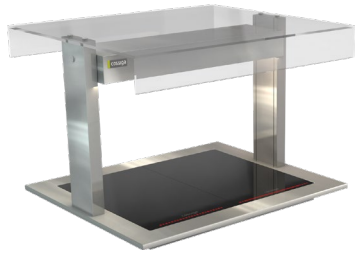
## ASSEMBLY REQUIRED

Prior to installation see, installation guidelines, ventilation requirements and drainage options documents

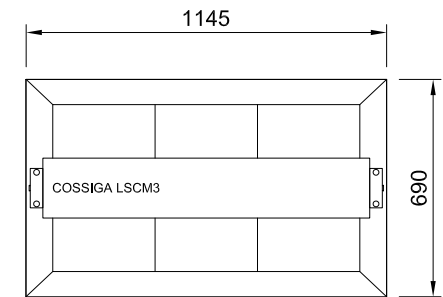
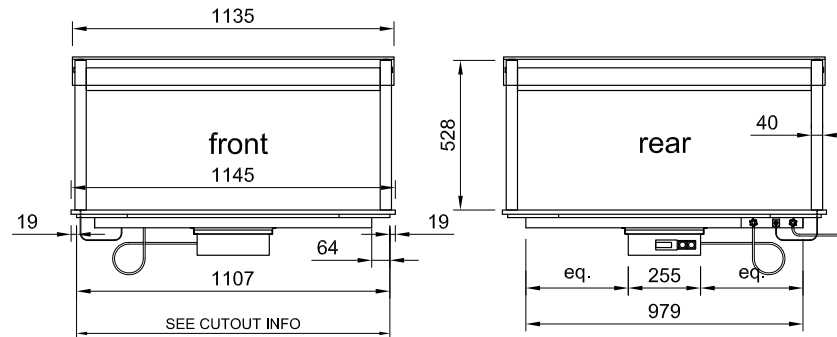
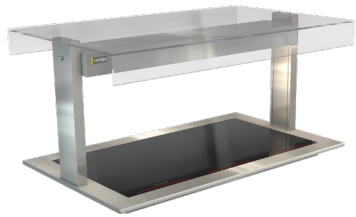
# LSCM-FT LINEAR SERIES - CERAMIC HEATED GLASS - Flat Top Sneeze Guard

# COSSIGA

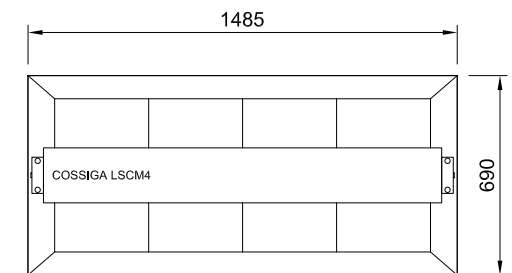
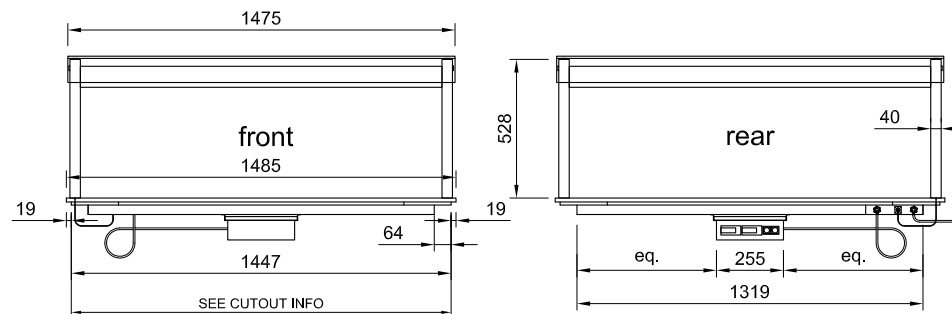
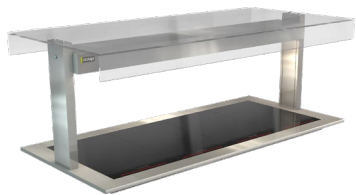
## LSCM2-FT



## LSCM3-FT



## LSCM4-FT



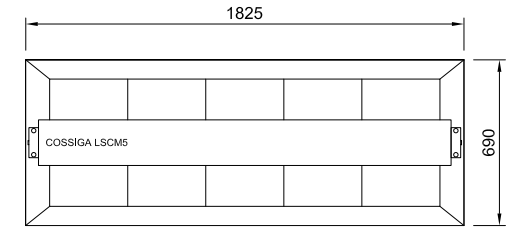
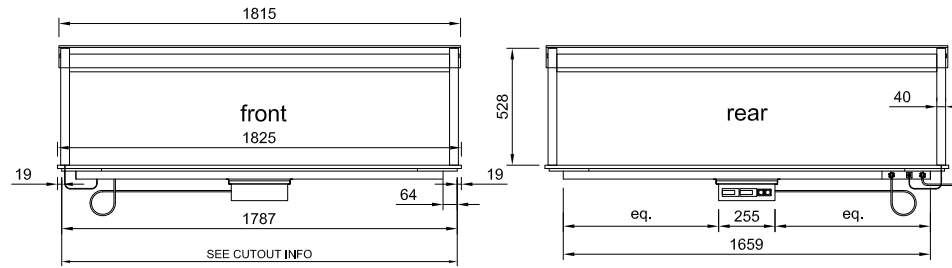
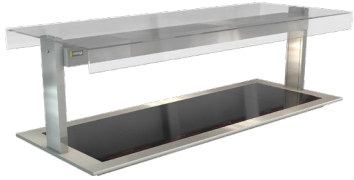
## ASSEMBLY REQUIRED



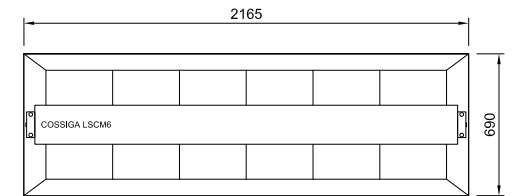
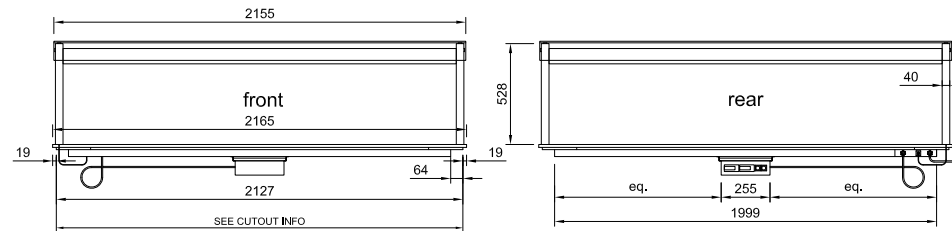
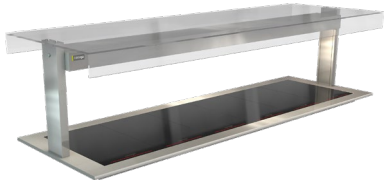
# LSCM-FT LINEAR SERIES - CERAMIC HEATED GLASS - Flat Top Sneeze Guard

COSSIGA

## LSCM5-FT



## LSCM6-FT



ASSEMBLY REQUIRED

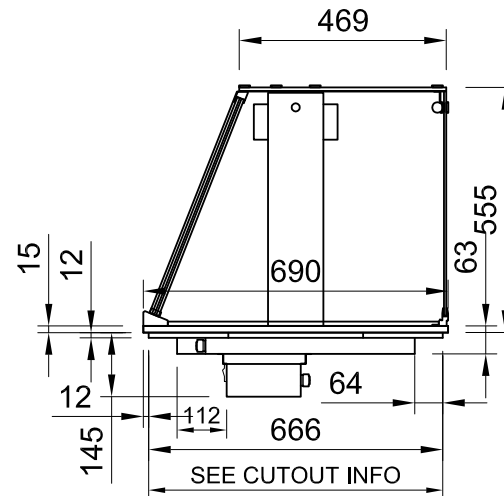
### CABINET DIMENSIONS & SPECIFICATIONS

MODEL	CABINET			WEIGHT KG	BENCH TOP CUT OUT HOLE SIZE	TEMP RANGE DEG C	DISPLAY AREA M2	FREQUENCY	OPERATING CURRENT WITH LAMPS AMPS	OPERATING CURRENT NO LAMPS AMPS	POWER WITH LAMPS KW 230V	CONNECTION ELECTRICAL POWER CORD 3000MM NZ/AUS/UK	VOLTAGE	PACKED FOR SHIPPING			
	LENGTH [MM]	DEPTH [MM]	HEIGHT [MM]											LENGTH [MM]	DEPTH [MM]	HEIGHT [MM]	WEIGHT [KG]
LSCM2-FS	805	690	555	65	775x672	75-95	0.33	50/60 HZ	7.9	5.2	1.9	15 AMP LEAD ONLY	220-240V	910	770	410	76
LSCM3-FS	1145	690	555	65	1115x672	75-95	0.51	50/60 HZ	11.7	7.61	2.691	15 AMP LEAD ONLY	220-240V	1250	770	410	88
LSCM4-FS	1485	690	555	85	1455x672	75-95	0.68	50/60 HZ	15.7	10.25	3.611	20 AMP LEAD ONLY	220-240V	1590	770	410	107
LSCM5-FS	1825	690	555	97	1795x672	75-95	0.86	50/60 HZ	19.6	12.78	4.508	20 AMP LEAD ONLY	220-240V	1930	770	410	128
LSCM6-FS	2165	690	555	109	2135x672	75-95	1.04	50/60 HZ	23.5	15.32	5.405	30 AMP LEAD ONLY	220-240V	2270	770	410	140

### PRODUCT FEATURES

- Ceramic Heated Glass
- Overhead Halogen Lamps
- Digital thermostatic controller
- Heat indicating LED lights

### LSCM-FS LEFT SIDE ELEVATION



### ELECTRICAL POWER

Electrical power cord 3000mm 1 phase connection required.  
Unit must be hard wired on site to isolation switch.

### ASSEMBLY REQUIRED

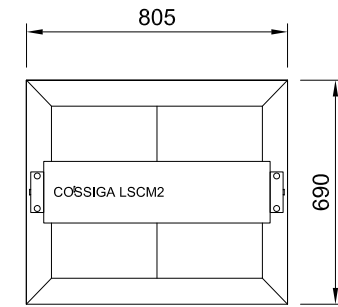
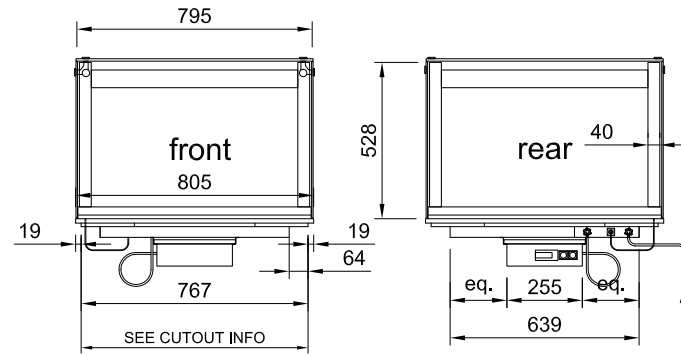
Prior to installation see, installation guidelines, ventilation requirements and drainage options documents

# LSCM-FS

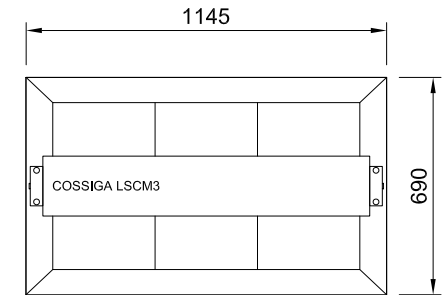
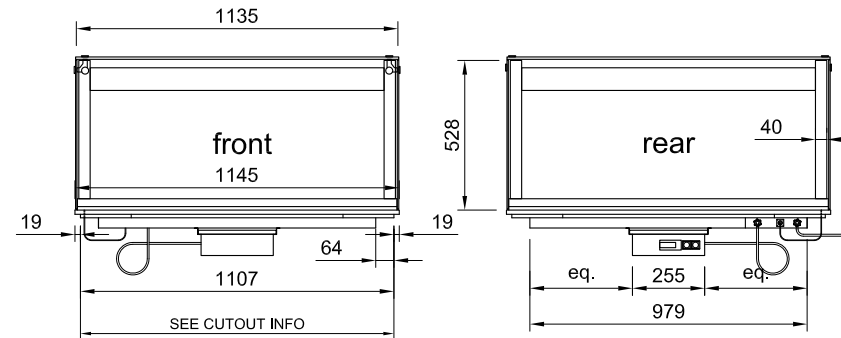
LINEAR SERIES - CERAMIC HEATED GLASS - Full Square Glass Canopy

# COSSIGA

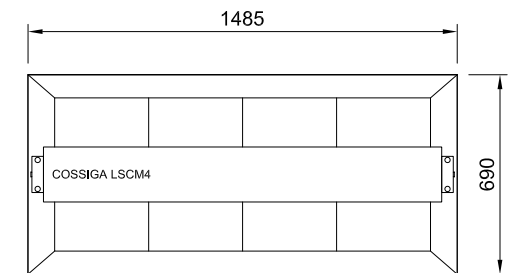
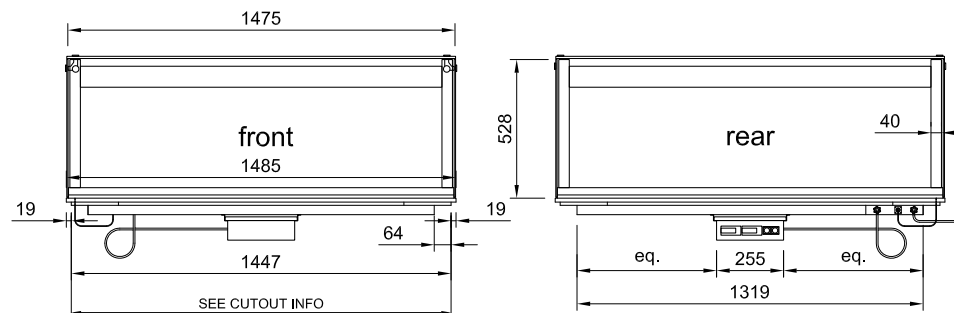
## LSCM2-FS



## LSCM3-FS



## LSCM4-FS



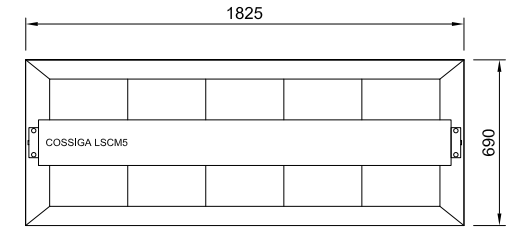
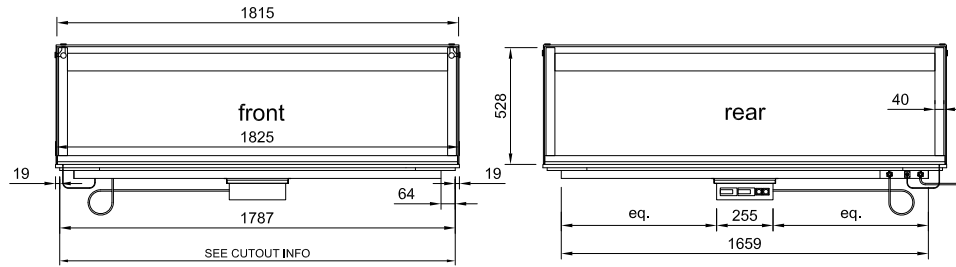
ASSEMBLY REQUIRED

# LSCM-FS

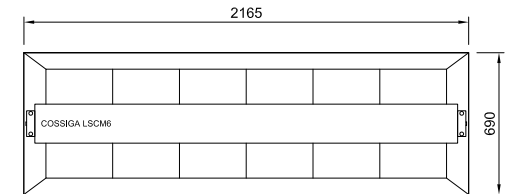
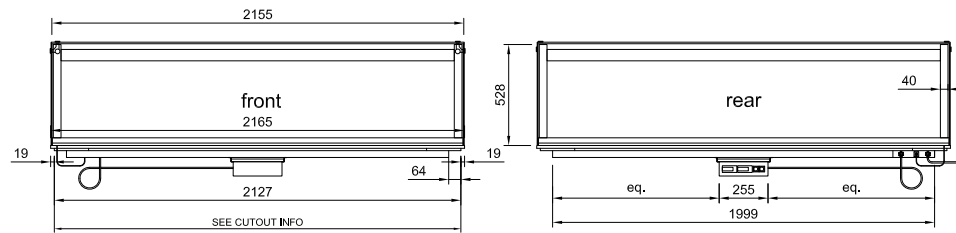
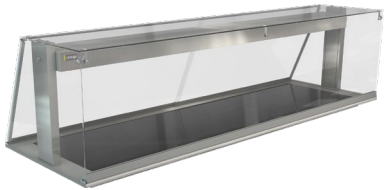
LINEAR SERIES - CERAMIC HEATED GLASS - Full Square Glass Canopy

# COSSIGA

## LSCM5-FS



## LSCM6-FS



ASSEMBLY REQUIRED