

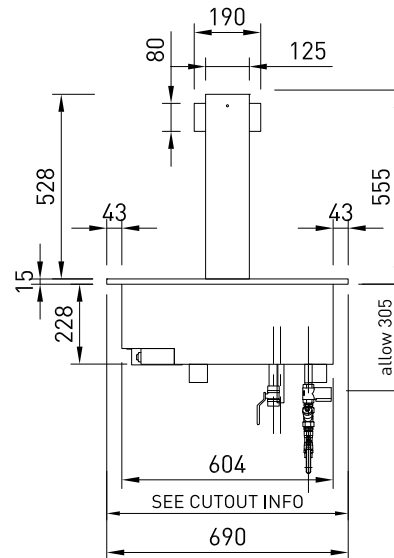
CABINET DIMENSIONS & SPECIFICATIONS

MODEL	CABINET					PANS	WATER FILL	TEMP	DISPLAY AREA	POWER		CONNECTION ELECTRICAL POWER CORD 3000MM	VOLTAGE	PACKED FOR SHIPPING			
	LENGTH [MM]	DEPTH [MM]	HEIGHT [MM]	WEIGHT [KG]	CUT OUTS					LITERS	DEG C			M2	KW 230V	AMPS WITH LAMP	NZ/AUS/UK
LSBM3	1145	690	555	86	1120X635	3 x 1/1 65mm Gastro Pans	57	75 -95	0.53	3.45	15	20 AMP LEAD ONLY	220-240V	1250	770	670	86
LSBM4	1485	690	555	106	1460X635	4 x 1/1 65mm Gastro Pans	75	75 -95	0.73	4.30	18.7	30 AMP LEAD ONLY	220-240V	1590	770	670	106
LSBM5	1825	690	555	121	1800X635	5 x 1/1 65mm Gastro Pans	93	75 -95	0.92	5.75	25	30 AMP LEAD ONLY	220-240V	1930	770	670	121
LSBM6	2165	690	555	140	2140X635	6 x 1/1 65mm Gastro Pans	113	75 -95	1.10	6.56	28.5	40 AMP LEAD ONLY	220-240V	2270	770	670	140

PRODUCT FEATURES

- Dual purpose used wet or dry
- Auto Fill - Dry elements
- Overhead halogen lights
- with adjustable dimmer
- Full size pans 65mm deep supplied (max 100mm)

LSBM LEFT SIDE ELEVATION



GASTRO PANS

Units supplied with 1/1 pans at 65mm deep, max pan depth is 100mm

ELECTRICAL POWER

Electrical power cord 3000mm 1 phase connection required. Unit must be hard wired on site to isolation switch.

WATER DRAINAGE

Screw on stop cock valve drain pipe Ideally drain connected to waste. Overflow flexible waste pipe 19mm dia.1000 mm length from spigot must be connected to waste.

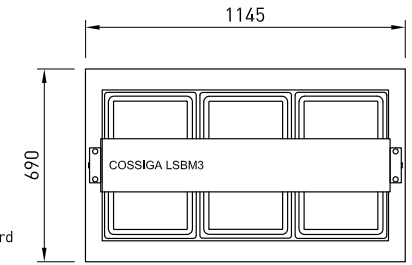
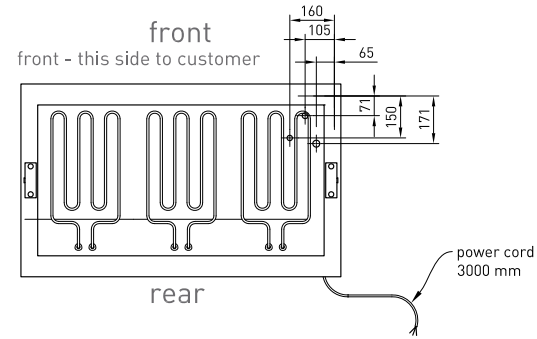
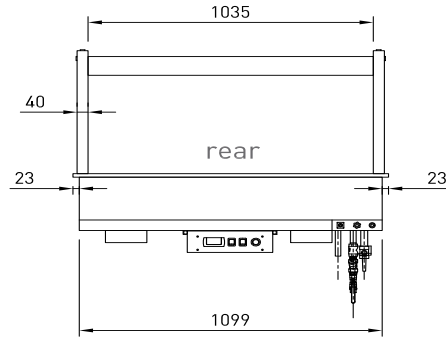
ASSEMBLY REQUIRED

Prior to installation see, installation guidelines, ventilation requirements and drainage options documents

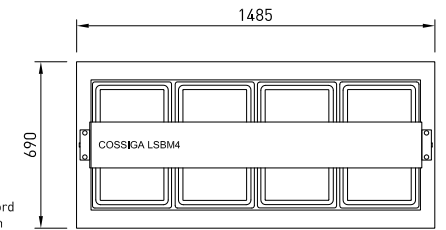
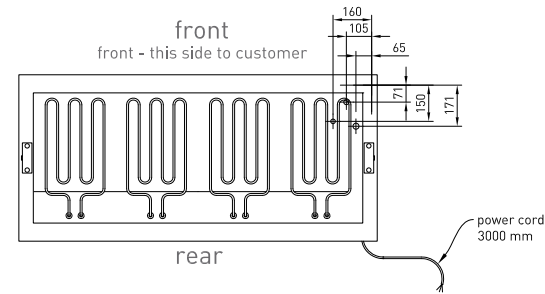
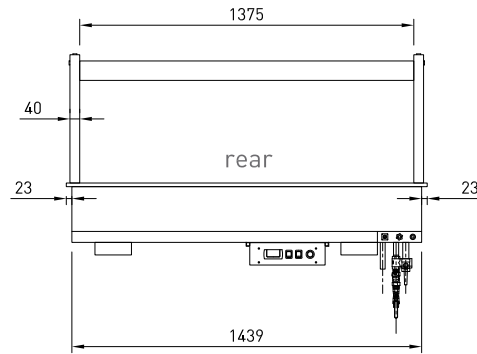
LSBM LINEAR SERIES - BAIN MARIE - Gantry Only with No Glass

COSSIGA

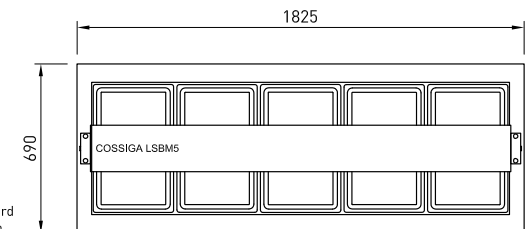
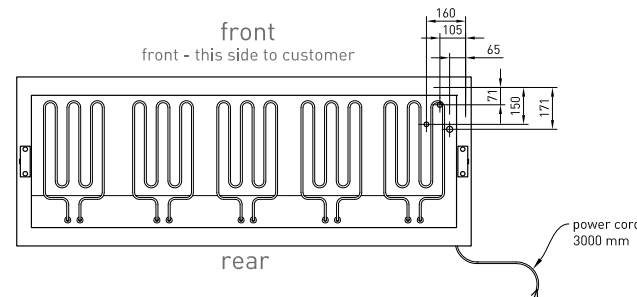
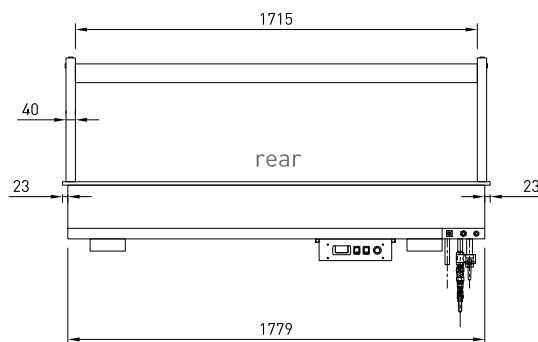
LSBM3



LSBM4

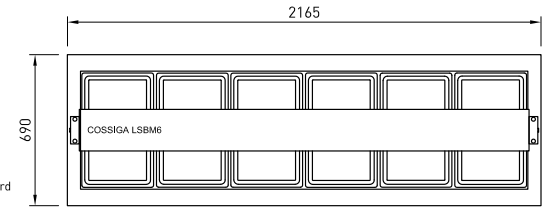
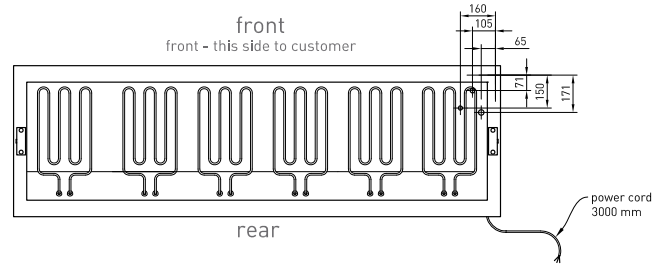
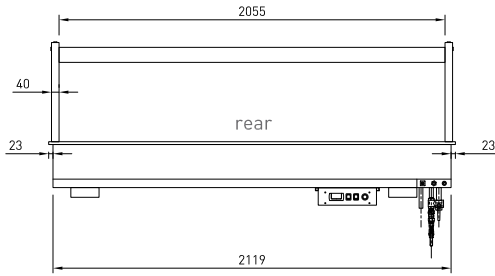


LSBM5



ASSEMBLY REQUIRED

LSBM6



ASSEMBLY REQUIRED

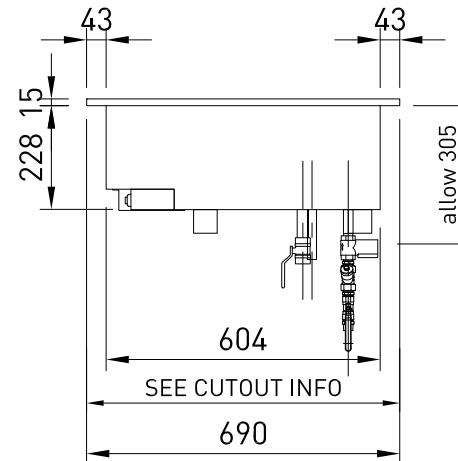
CABINET DIMENSIONS & SPECIFICATIONS

MODEL	CABINET					PANS	WATER FILL	TEMP	DISPLAY AREA	POWER		CONNECTION ELECTRICAL POWER CORD 3000MM	VOLTAGE	PACKED FOR SHIPPING			
	LENGTH [MM]	DEPTH [MM]	HEIGHT [MM]	WEIGHT [KG]	CUT OUTS					LITERS	DEG C			M2	KW 230V	AMPS NO HEAT LAMP	NZ/AUS/UK
LSBM3-NG	1145	690	15	80	1120X635	3 x 1/1 65mm Gastro Pans	57	75 -95	0.53	2.4	10.91	20 AMP LEAD ONLY	220-240V	1250	770	670	86
LSBM4-NG	1485	690	15	97	1460X635	4 x 1/1 65mm Gastro Pans	75	75 -95	0.73	2.91	13.25	30 AMP LEAD ONLY	220-240V	1590	770	670	106
LSBM5-NG	1825	690	15	119	1800X635	5 x 1/1 65mm Gastro Pans	93	75 -95	0.92	4.0	17.18	30 AMP LEAD ONLY	220-240V	1930	770	670	121
LSBM6-NG	2165	690	15	130	2140X635	6 x 1/1 65mm Gastro Pans	113	75 -95	1.10	4.47	20.32	40 AMP LEAD ONLY	220-240V	2270	770	670	140

PRODUCT FEATURES

- Dual purpose used wet or dry
- Auto Fill - Dry elements
- Full size pans 65mm deep supplied (max 100mm)

LSBM LEFT SIDE ELEVATION



GASTRO PANS

Units supplied with 1/1 pans at 65mm deep, max pan depth is 100mm

ELECTRICAL POWER

Electrical power cord 3000mm 1 phase connection required. Unit must be hard wired on site to isolation switch.

WATER DRAINAGE

Screw on stop cock valve drain pipe Ideally drain connected to waste. Overflow flexible waste pipe 19mm dia.1000 mm length from spigot must be connected to waste.

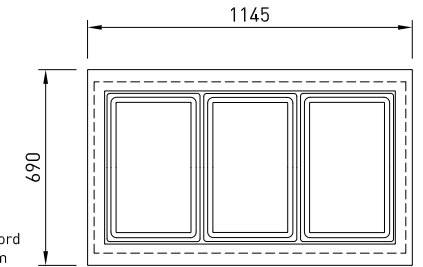
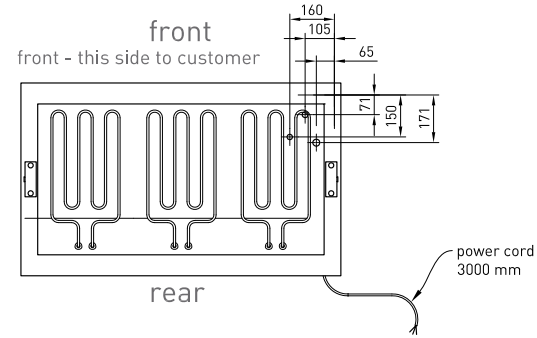
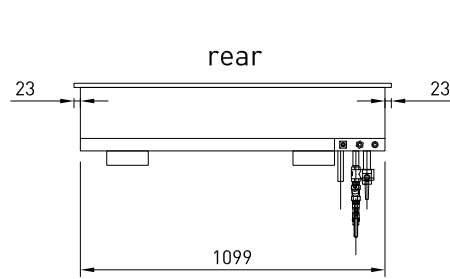
Prior to installation see, installation guidelines, ventilation requirements and drainage options documents

LSBM-NG

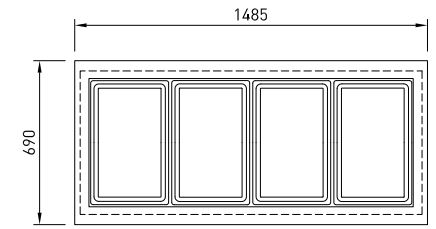
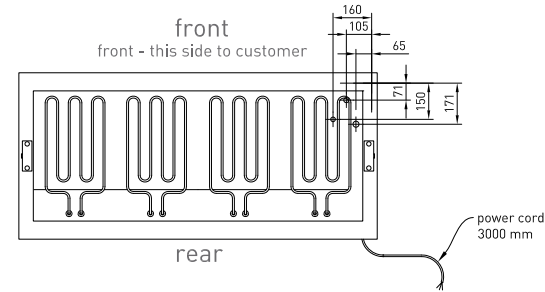
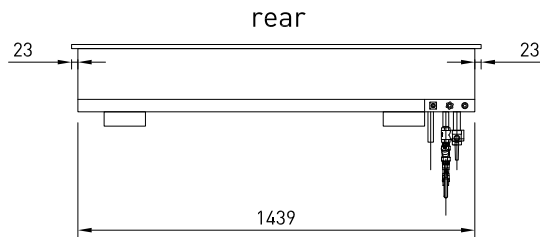
LINEAR SERIES - BAIN MARIE - No Gantry

COSSIGA

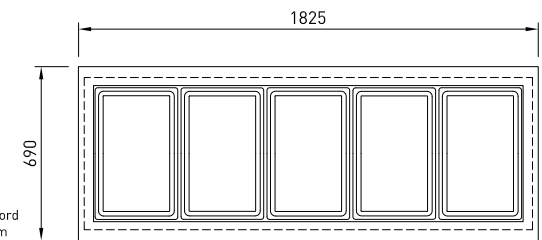
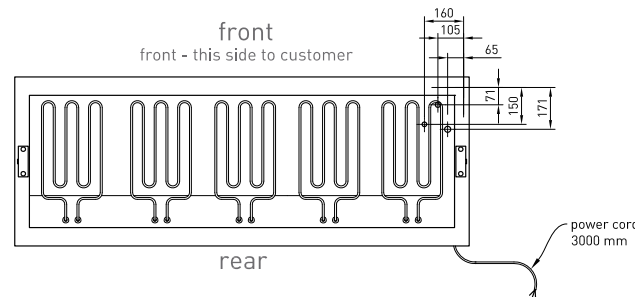
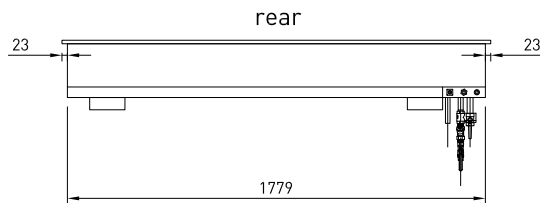
LSBM3-NG



LSBM4-NG



LSBM5-NG

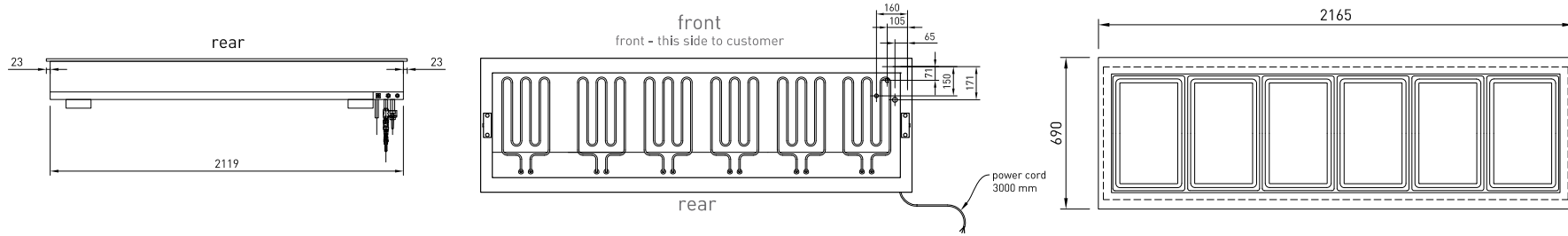


ASSEMBLY REQUIRED

LSBM-NG LINEAR SERIES - BAIN MARIE - No Gantry

COSSIGA

LSBM6-NG



ASSEMBLY REQUIRED

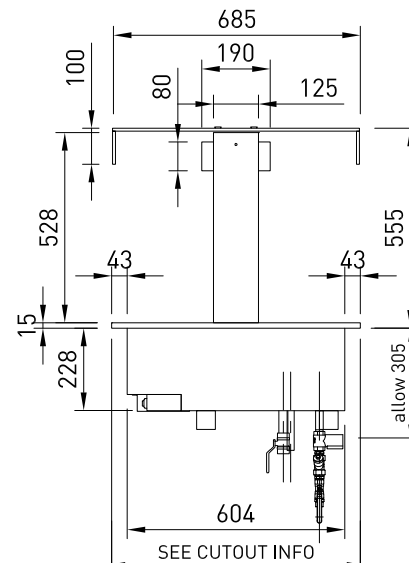
CABINET DIMENSIONS & SPECIFICATIONS

MODEL	CABINET				CUT OUTS	PANS	WATER FILL	TEMP	DISPLAY AREA	POWER		CONNECTION ELECTRICAL POWER CORD 3000MM	VOLTAGE	PACKED FOR SHIPPING			
	LENGTH [MM]	DEPTH [MM]	HEIGHT [MM]	WEIGHT [KG]			LITERS	DEG C	M2	KW 230V	AMPS WITH LAMP	NZ/AUS/UK		LENGTH [MM]	DEPTH [MM]	HEIGHT [MM]	WEIGHT [KG]
LSBM3-FT	1145	690	555	123	1120X635	3 x 1/1 65mm Gastro Pans	57	75 -95	0.53	3.45	15	20 AMP LEAD ONLY	220-240V	1250	770	670	123
LSBM4-FT	1485	690	555	152	1460X635	4 x 1/1 65mm Gastro Pans	75	75 -95	0.73	4.30	18.7	30 AMP LEAD ONLY	220-240V	1590	770	670	152
LSBM5-FT	1825	690	555	183	1800X635	5 x 1/1 65mm Gastro Pans	93	75 -95	0.92	5.75	25	30 AMP LEAD ONLY	220-240V	1930	770	670	183
LSBM6-FT	2165	690	555	215	2140X635	6 x 1/1 65mm Gastro Pans	113	75 -95	1.10	6.56	28.5	40 AMP LEAD ONLY	220-240V	2270	770	670	215

PRODUCT FEATURES

- Dual purpose used wet or dry
- Auto Fill - Dry elements
- Overhead halogen lights with adjustable dimmer
- Full size pans 65mm deep supplied (max 100mm)

LSBM LEFT SIDE ELEVATION



GASTRO PANS

Units supplied with 1/1 pans at 65mm deep, max pan depth is 100mm

ELECTRICAL POWER

Electrical power cord 3000mm 1 phase connection required. Unit must be hard wired on site to isolation switch.

WATER DRAINAGE

Screw on stop cock valve drain pipe Ideally drain connected to waste. Overflow flexible waste pipe 19mm dia.1000 mm length from spigot must be connected to waste.

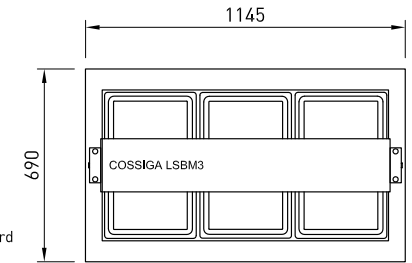
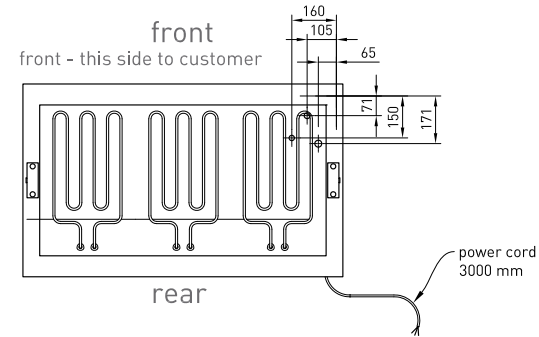
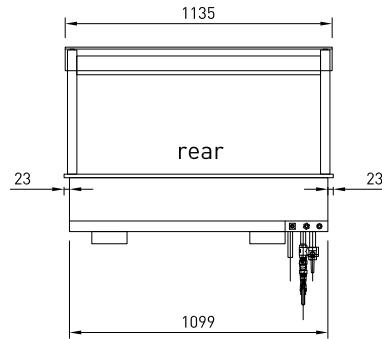
Prior to installation see, installation guidelines, ventilation requirements and drainage options documents

LSBM-FT

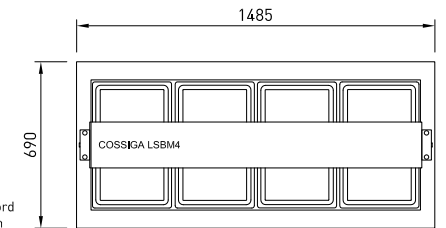
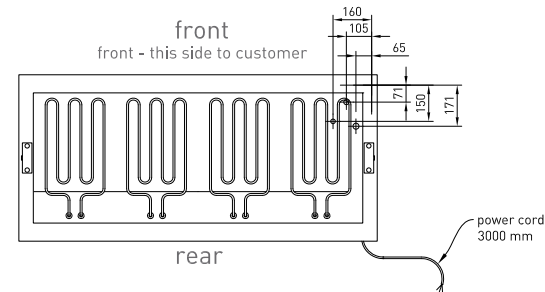
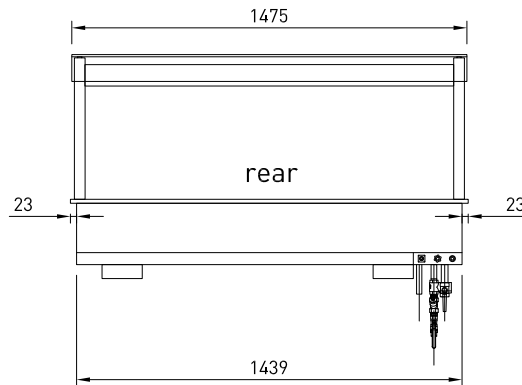
LINEAR SERIES - BAIN MARIE - Flat Top Sneeze Guard

COSSIGA

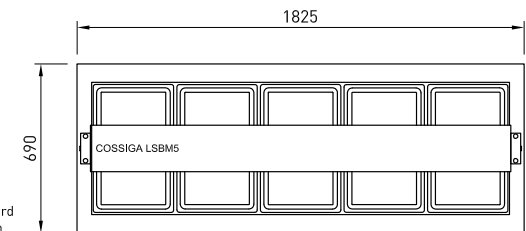
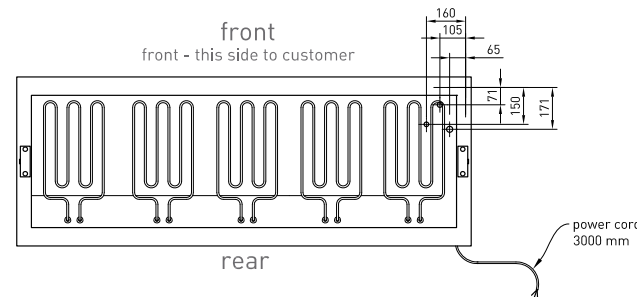
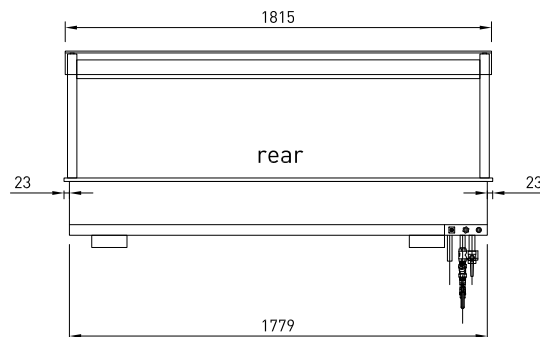
LSBM3-FT



LSBM4-FT



LSBM5-FT



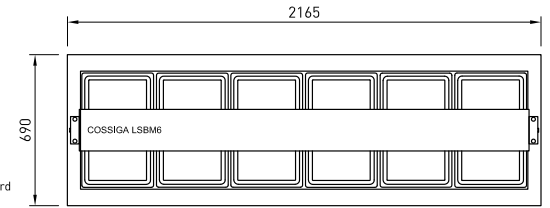
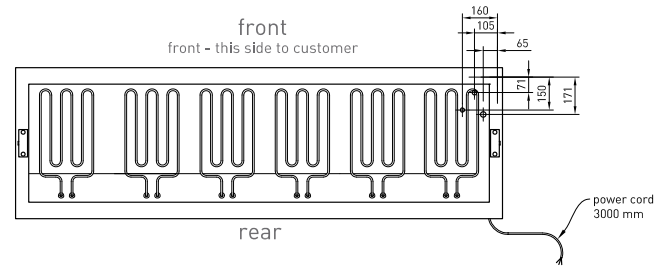
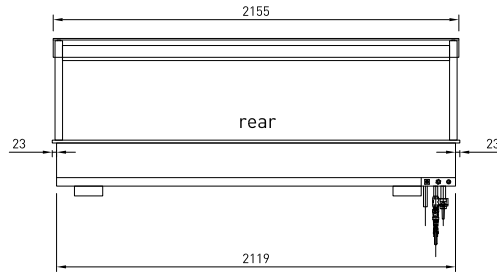
ASSEMBLY REQUIRED

LSBM-FT

LINEAR SERIES - BAIN MARIE - Flat Top Sneeze Guard

COSSIGA

LSBM6-FT



ASSEMBLY REQUIRED

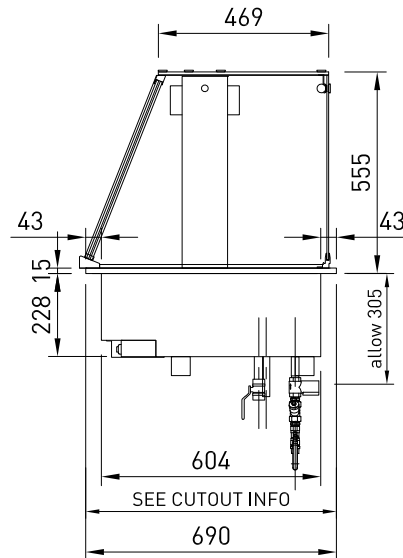
CABINET DIMENSIONS & SPECIFICATIONS

MODEL	CABINET				CUT OUTS	PANS	WATER FILL	TEMP	DISPLAY AREA	POWER		CONNECTION ELECTRICAL POWER CORD 3000MM	VOLTAGE	PACKED FOR SHIPPING			
	LENGTH [MM]	DEPTH [MM]	HEIGHT [MM]	WEIGHT [KG]			LITERS	DEG C	M2	KW 230V	AMPS WITH LAMP	NZ/AUS/UK		LENGTH [MM]	DEPTH [MM]	HEIGHT [MM]	WEIGHT [KG]
LSBM3-FS	1145	690	555	139	1120X635	3 x 1/1 65mm Gastro Pans	57	75 -95	0.53	3.45	15	20 AMP LEAD ONLY	220-240V	1250	770	670	139
LSBM4-FS	1485	690	555	166	1460X635	4 x 1/1 65mm Gastro Pans	75	75 -95	0.73	4.30	18.7	30 AMP LEAD ONLY	220-240V	1590	770	670	166
LSBM5-FS	1825	690	555	199	1800X635	5 x 1/1 65mm Gastro Pans	93	75 -95	0.92	5.75	25	30 AMP LEAD ONLY	220-240V	1930	770	670	199
LSBM6-FS	2165	690	555	230	2140X635	6 x 1/1 65mm Gastro Pans	113	75 -95	1.10	6.56	28.5	40 AMP LEAD ONLY	220-240V	2270	770	670	230

PRODUCT FEATURES

- Dual purpose used wet or dry
- Auto Fill - Dry elements
- Overhead halogen lights with adjustable dimmer
- Full size pans 65mm deep supplied (max 100mm)

LSBM LEFT SIDE ELEVATION



GASTRO PANS

Units supplied with 1/1 pans at 65mm deep, max pan depth is 100mm

ELECTRICAL POWER

Electrical power cord 3000mm 1 phase connection required. Unit must be hard wired on site to isolation switch.

WATER DRAINAGE

Screw on stop cock valve drain pipe Ideally drain connected to waste. Overflow flexible waste pipe 19mm dia.1000 mm length from spigot must be connected to waste.

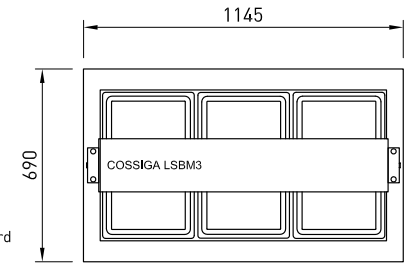
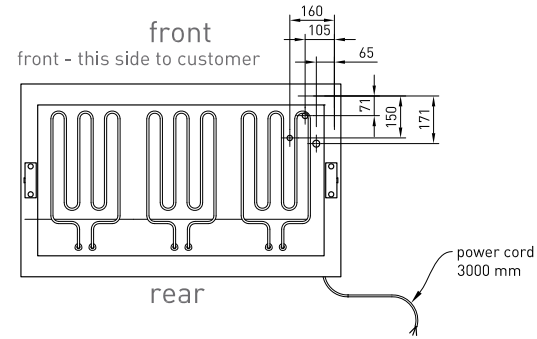
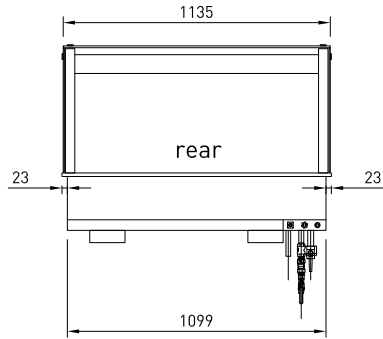
Prior to installation see, installation guidelines, ventilation requirements and drainage options documents

LSBM-FS

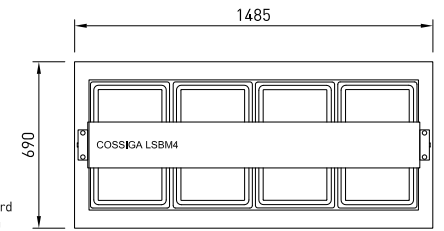
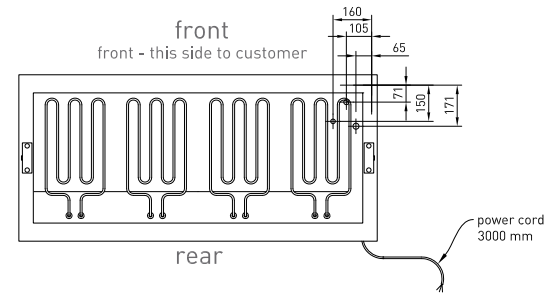
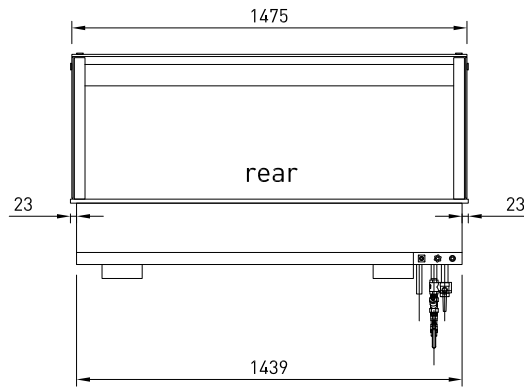
LINEAR SERIES - BAIN MARIE - Full Square Glass

COSSIGA

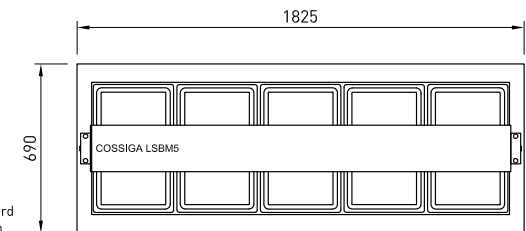
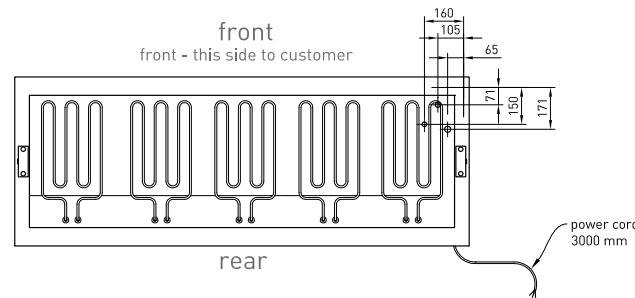
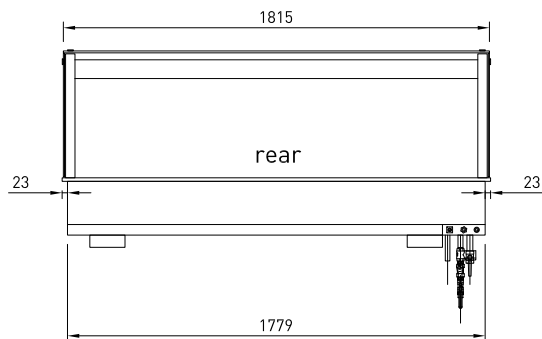
LSBM3-FS



LSBM4-FS



LSBM5-FS

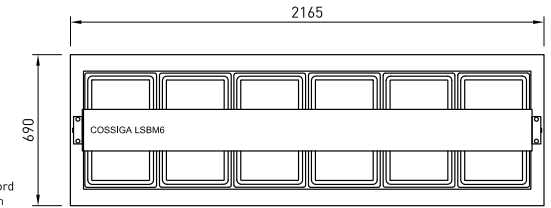
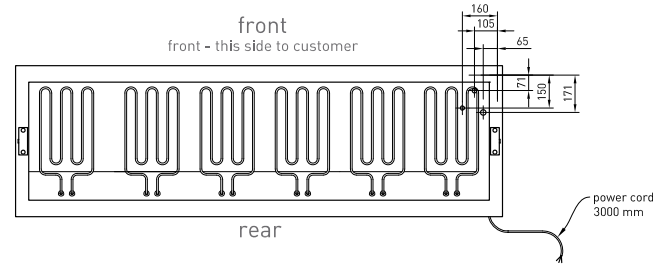
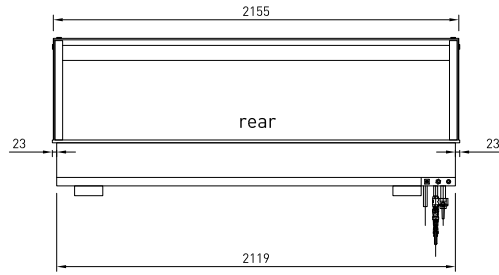


ASSEMBLY REQUIRED

LSBM-FS LINEAR SERIES - BAIN MARIE - Full Square Glass

COSSIGA

LSBM6-FS



ASSEMBLY REQUIRED